

## CT930-B Intel® 945GM ECX Board

### PROCESSOR Active Cooler Included with Board.

- Intel® Core™ Duo/Solo processor
  - 667MHz/533MHz system data bus
- Intel® Celeron® M processor
  - 533MHz system data bus (on Ultra Low Voltage)
- Processor socket: mPGA478

### CHIPSET

- Intel® chipset
  - Intel® 945GM Express chipset
  - Intel® 82801GBM I/O Controller Hub (ICH7M)

### SYSTEM MEMORY

- One 200-pin SODIMM socket
- Supports 400MHz, 533MHz and 667MHz DDR2 SDRAM
- Supports maximum of 2GB system memory using 256Mbit, 512Mbit or 1Gbit technology for x8 and x16 devices

### BIOS

- Award BIOS
- 4Mbit flash memory

### ENERGY EFFICIENT DESIGN

- Supports ACPI specification and OS Directed Power Management
- Supports ACPI STR (Suspend to RAM) function
- Wake-On-Events include:
  - Wake-On-PS/2 Keyboard/Mouse
  - Wake-On-USB Keyboard/Mouse
  - Wake-On-LAN and Wake-On-Ring
  - RTC timer to power-on the system
- System power management supported
- CPU stopped clock control
- Microsoft®/Intel® APM 1.2 compliant
- Soft Power supported - ACPI v1.0a specification
- AC power failure recovery

### DAMAGE FREE INTELLIGENCE

- Monitors CPU/system temperature and overheat alarm
- Monitors CPU/system fan speed and failure alarm
- Read back capability that displays temperature, voltage and fan speed
- Watchdog timer function

### ONBOARD GRAPHICS FEATURES

- Integrated graphics interface
  - Analog CRT
    - Integrated 400MHz RAMDAC
    - Analog monitor supports up to UXGA
  - LVDS interface
    - Panel support up to UXGA (1600x1200)
    - 25MHz-112MHz single/dual channel @ 18bpp, TFT panel type support
- Internal graphics features
  - DVMT 3.0 support
  - Intel® Dual-Frequency Graphics Technology
  - Intel® Smart 2D Display Technology
  - Dual Independent display pipes
  - Intel Gen 3.5 Integrated Graphics Engine

### SAFETY

- UL, cUL, FCC Class B, CE

### ONBOARD AUDIO FEATURES

- Realtek ALC655
- 16-bit stereo full-duplex codec with independent variable sampling rate
- 5.1-channel audio output

### ONBOARD LAN FEATURES

- One Marvell 88E8053 PCI Express Gigabit controller
- Supports 10Mbps, 100Mbps and 1Gbps data transmission
- IEEE 802.3 (10/100Mbps) and IEEE 802.3ab (1Gbps) compliant

### SERIAL ATA INTERFACE

- Supports two Serial ATA interfaces which are compliant with SATA 1.0 specification (1.5Gbps interface)

### IDE INTERFACE

- One 44-pin IDE connector supports up to two IDE devices
- Supports Ultra ATA 100/66/33

### REAR PANEL I/O PORTS

- 1 DB-15 VGA port
- 1 RJ45 LAN port
- 2 USB 2.0/1.1 ports
- 1 port for PS/2 KB/Mouse port
- 1 DB-9 serial port

### I/O CONNECTORS

- 1 CompactFlash socket
- 1 connector for 1 external serial port
- 1 LVDS LCD panel connector
- 1 LCD/inverter power connector
- 1 audio connector for mic-in, line-in and line-out jacks
- 2 Serial ATA ports
- 1 44-pin IDE connector
- 1 10-pin ATX power connector
- 1 front panel connector
- 2 fan connectors

### TEMPERATURE

- 0°C to 60°C

### HUMIDITY

- 10% to 90%

### PCB

- 10 layers, ECX form factor
- 10.5cm (4.14") x 14.6cm (5.75")

### DAUGHTERBOARD CONNECTOR

- 1 daughterboard connector for EXT-ECX1 daughterboard

### EXT-ECX1 DAUGHTERBOARD (Optional)

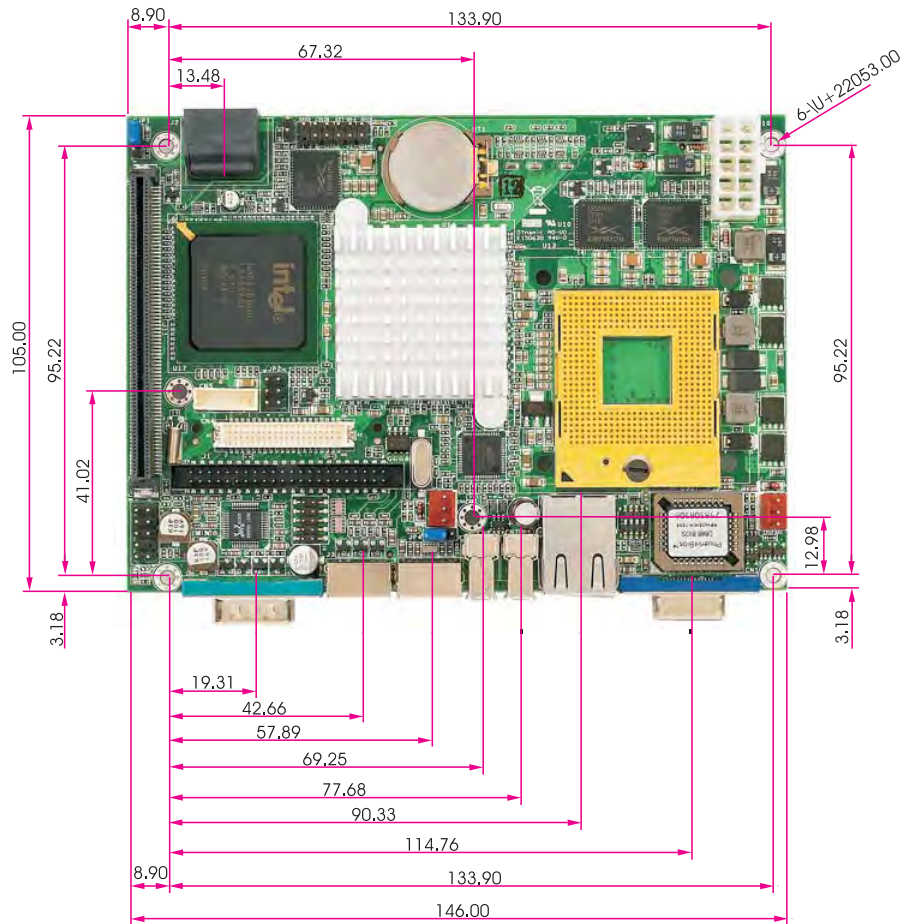
- Chrontel CH7307C DVI transmitter chip
- 2 USB ports
- 1 DVI port
- 1 mini PCI slot
- 4 layers, ECX form factor
- 9.35cm (3.68") x 9.55cm (3.76")



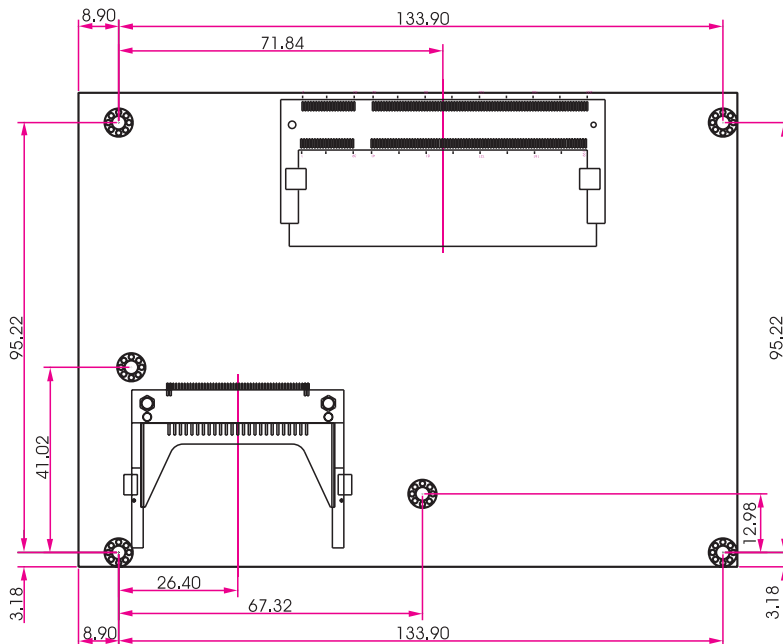
CT930-B



EXT-ECX1  
DAUGHTERBOARD



**CT930-B**  
(component side)



**CT930-B**  
(solder side)